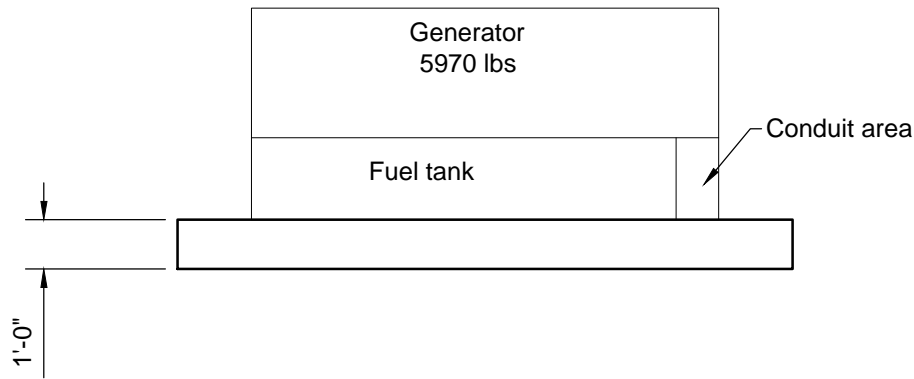
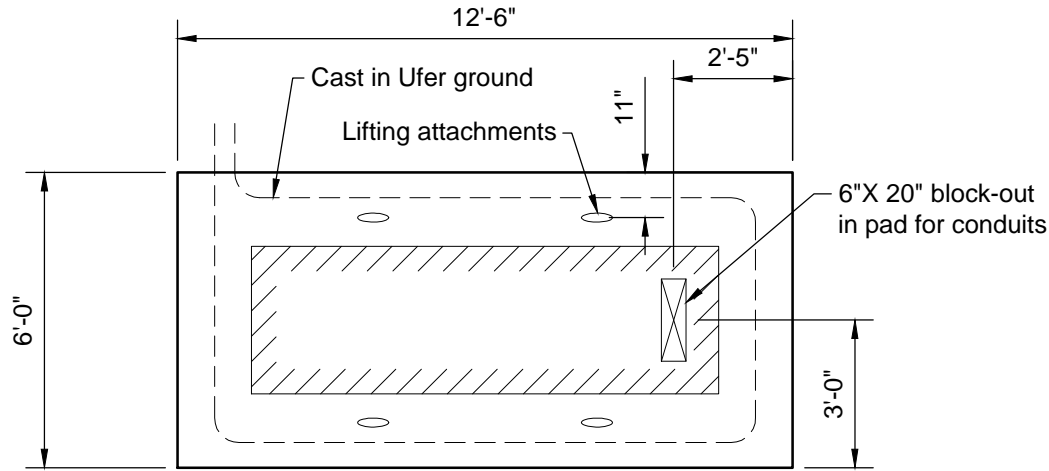


Notes:  
 1. Foundation for generator.



# GENERATOR FOUNDATION PLAN



EAST: 277 Sumption Dr.  
 Columbus, OH 43230  
 PH: 614.800.0534

WEST: P.O. Box 1167  
 Jackson, CA 95642  
 PH: 707.291.6720  
 510.418.4322  
 FAX: 510.261.0392

www.cellblocksinc.com

US and Foreign Patents and Patents Pending

**Notice:**

The design and information shown on this drawing is provided as a service to the project owner, design professional, and contractor by CELL BLOCKS INC. No part of this drawing may be used, reproduced, or modified in any manner without the prior written authorization of CELL BLOCKS INC. Any such use, reproduction, or modification of this drawing is done at the user's own risk and the user agrees to indemnify, defend and hold harmless CELL BLOCKS INC from and against all claims, liability, and expense, including, but not limited to, reasonable attorney's fees, arising from such use, reproduction or modification. Any change in design loads different than those indicated on the drawings shall be done at the user's own risk. Design load changes shall be reported to CELL BLOCKS INC immediately for re-evaluation of the design.

If discrepancies between the supplied information and actual field conditions are encountered as site work progresses, these discrepancies must be reported to CELL BLOCKS INC immediately for re-evaluation of the design. CELL BLOCKS INC accepts no liability for designs based on inaccurate information supplied by others.

DRAWN BY:  
A.A.G.

CHECKED BY:  
B.W.S.

APPROVED BY:  
R. ERICH

DATE:  
07-22-2011

6'-0" x 12'-6" x 1'-0"  
 Foundation System

SK-9